



...connecting to the aftermarket

INSTRUCTION MANUAL

AUXBOX1 2V



...connecting to the aftermarket

A diagram showing a smartphone on the left with a red screen displaying a yellow musical note and the word 'AUDIO'. On the right, a car's interior is shown with a similar screen on the dashboard. Red musical notes are floating between the phone and the car. Below the image is a red banner with white and yellow text and icons.

**SMARTPHONE
AUDIO**
to any car

**AUX
INPUT**

**USB
CHARGING**

**CONNECT
VIA FM**

www.connects2.com

Designed and
Engineered
in the UK. 

About

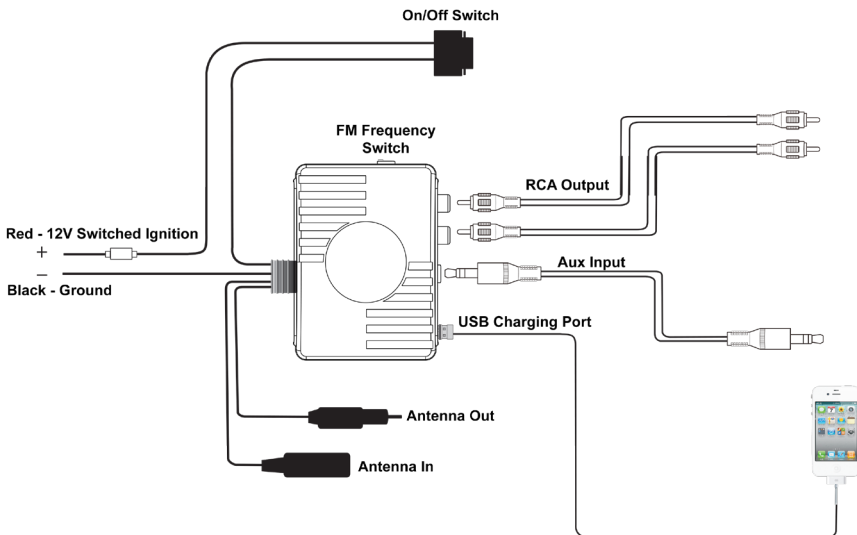
The AUXBOX12V allows you to connect any Smartphone or MP3 player to your car stereo, enabling you listen music and other audio files. Simply connect your Smartphone or MP3 player to the AUXBOX12V with a 3.5mm to 3.5mm audio cable. The AUXBOX12V connects to the antenna input of your car radio enabling you to experience high quality audio.

The AUXBOX12V also offers a 5V USB port for charging of devices only.

Installation

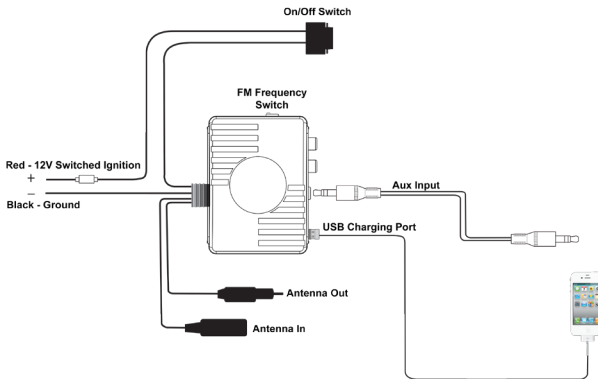
The AUXBOX12V can be installed in the glovebox in order to provide discreet, easy access.

1. Connect the black wire to Ground.
2. Connect the red wire to a 12V Switched Ignition Source.
3. Connect the Antenna Output of the AUXBOX12V to the antenna input of your car radio. Connect the Antenna Input of the AUXBOX12V to the car antenna connector. Alternatively, the RCA output can be used to connect directly to the car radio Aux input (if available).
4. Install the On/Off switch in a convenient place. This can be used to turn the AUXBOX12V on or off as required.



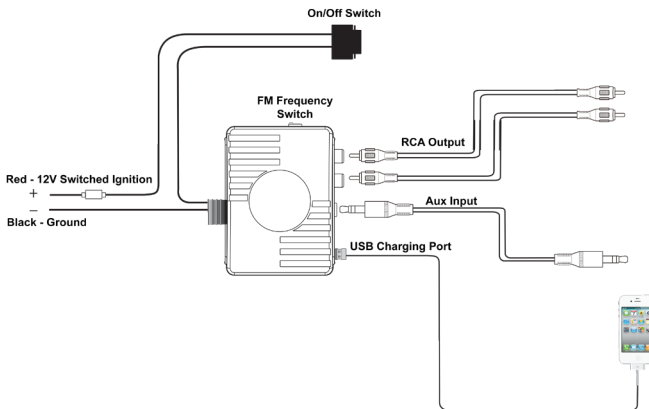
Car Radio Setup - FM Mode

1. In order to listen to your music files, ensure that your car radio is tuned to either 88.3MHz or 87.9MHz according the FM Frequency Switch on the side of the AUXBOX12V.
2. Ensure that the AUXBOX12V is turned on via the On/Off switch.
3. Connect your Smartphone/MP3 player to the Aux input of the AUXBOX12V.
4. Select your music files via your Smartphone/MP3 player.



Car Radio Setup - RCA Output

1. If you prefer to listen to your music files via the RCA output, simply switch to the Aux source on your car radio, ensuring the AUXBOX12V is switched on.
2. Connect your Smartphone/MP3 player to the Aux input of the AUXBOX12V.
3. Select your music files via your Smartphone/MP3 Player.



Technical Support

Should you experience any issue please contact Connects2:

Email: technical@connects2.com

Online: support.connects2.com

Notes

.....
.....
.....
.....
.....
.....
.....
.....
.....
.....
.....
.....
.....
.....
.....
.....
.....
.....
.....
.....
.....
.....
.....
.....
.....
.....